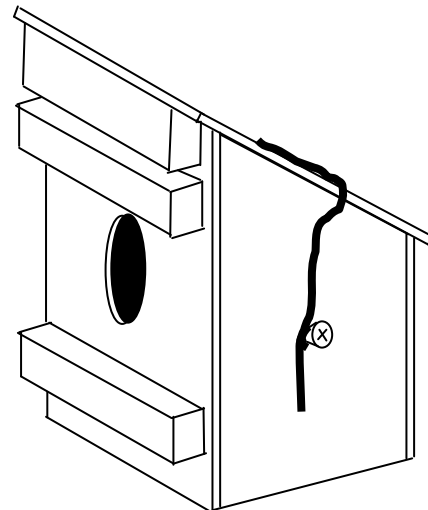
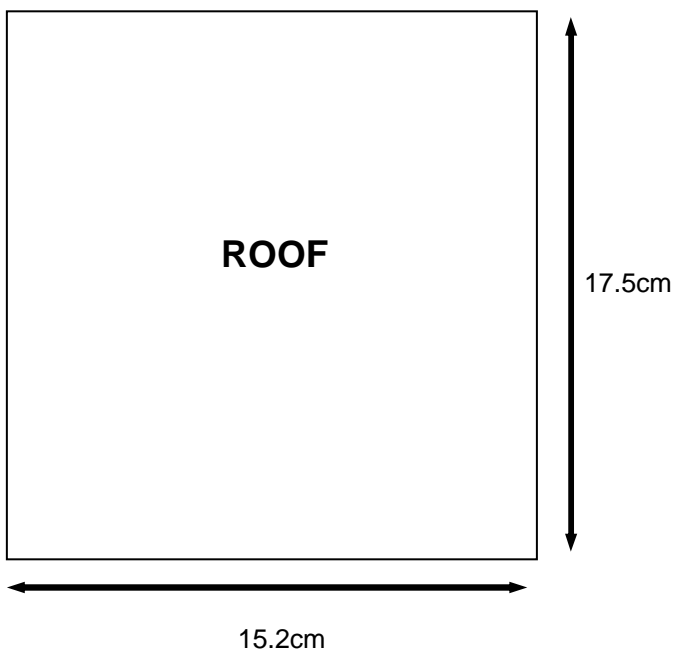
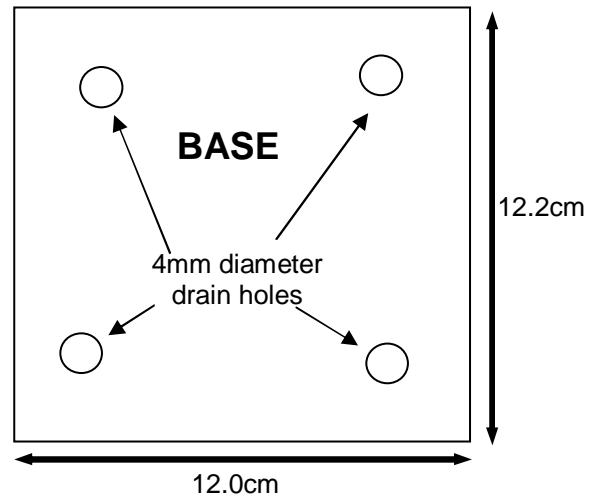
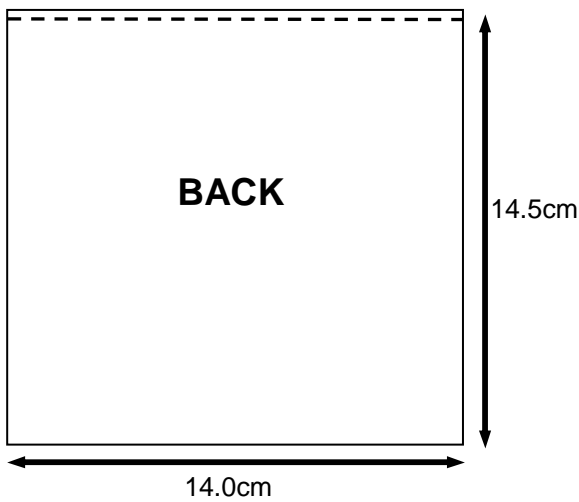
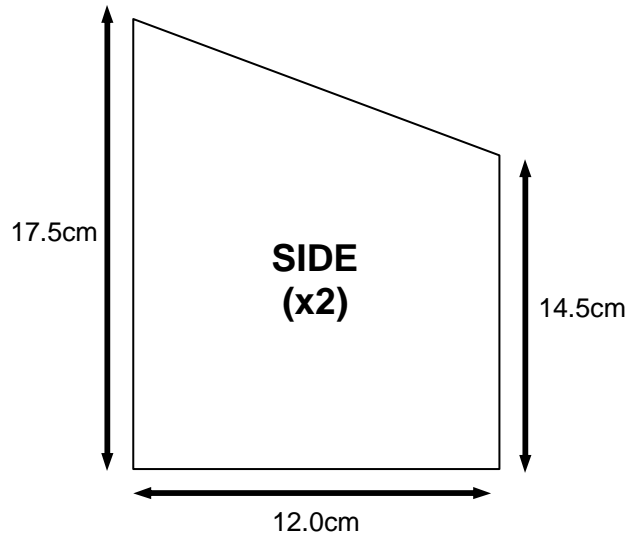
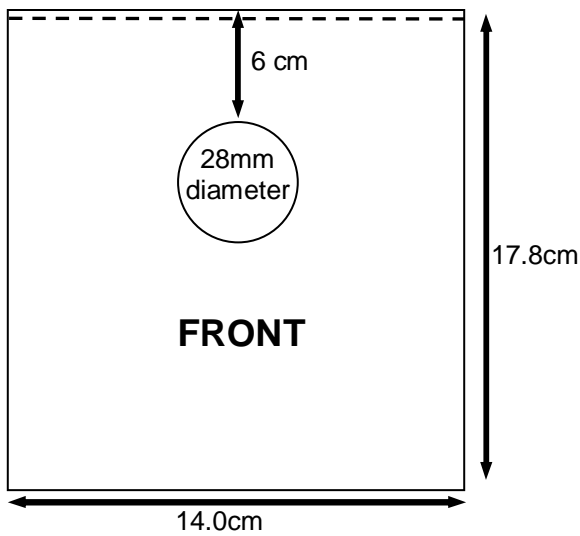


Hazel Dormouse Nest Box

All panels from 9mm exterior plywood (FSC),
 3 x Battens = 18mm x 25mm or similar all 120mm long
 Wire for holding roof = Medium Garden wire (green coated), 2 x screws = No.8 x 5/8" or similar
 Use 20mm panel pins for joining panels, use 25mm panel pins for attaching battens.



- The Roof must fit down level with **no gaps** for draughts.
- Make sure that **no** pin or screw ends stick out on the inside of the box.

Hazel Dormouse Nest Box

Materials

For 20 Boxes, ply initially in strips from 1829mm board:

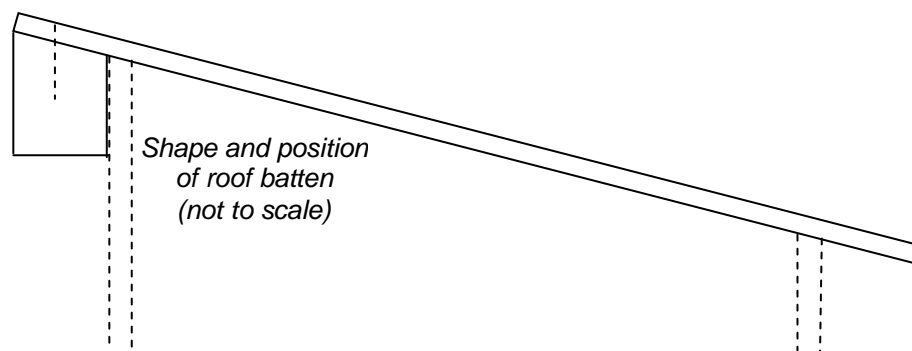
- 2 x 15.2cm strip (Roof)
- 4 x 14cm strip (Front, Back)
- 5 x 12cm strip (Base, Sides)

4 x 18mm x 25mm x 2100mm batten

- 25mm panel pins
- 20mm panel pins
- No 8 x 5/8" screws

Method

1. Drill drain holes in base (4 x 4mm diameter)
2. Attach side panels to base (20mm panel pins)
3. Attach back panel (20mm panel pins)
4. Drill entrance hole in front panel (28mm diameter)
5. Attach 2 battens to front panel, above and below hole. Attach 25mm face to panel, so that they stick out 18mm (25mm panel pins)
6. Attach front panel (20mm panel pins)
7. Cut or plane angle on 3rd batten corresponding to roof (approx 15°)
8. Attach batten to front of roof (25mm panel pins)
9. Fix screws (No. 8 x 5/8") into the middle of each side - ensuring that they do not stick out into the inside of the box.
10. Wind wire tightly around one screw, and pass over roof to hold it in place, winding the wire onto the second screw. Leave a long enough tail on the wire to allow it to be unwound and rewound when monitoring in the field.



The boxes in use

Dormice will occupy the boxes during the summer, both to sleep and to breed. During the winter, the mice will hibernate at ground level or in burrows and crevices below the ground.

The boxes are attached by separate wires to hazel stems with the hole nearest the stem. The battens on the front space the entrance hole from the stem, allowing the dormice to enter the boxes.

When the boxes are checked (two to three times each year), the entrance hole is plugged with cloth, the roof wire is detached from one side and the lid is then quickly slid to the side to check for and capture any dormouse inside.